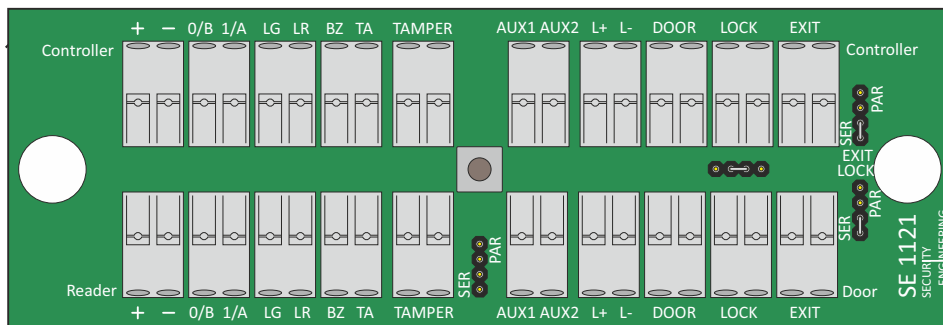



Access Control Junction Box
SE 1121




 Technical drawings
 according to DIN
 specifications

SECURITY
ENGINEERING

Tel.: +45 87 30 04 45
www.securityengineering.com

Design : SE 1121 - EAC Junction box

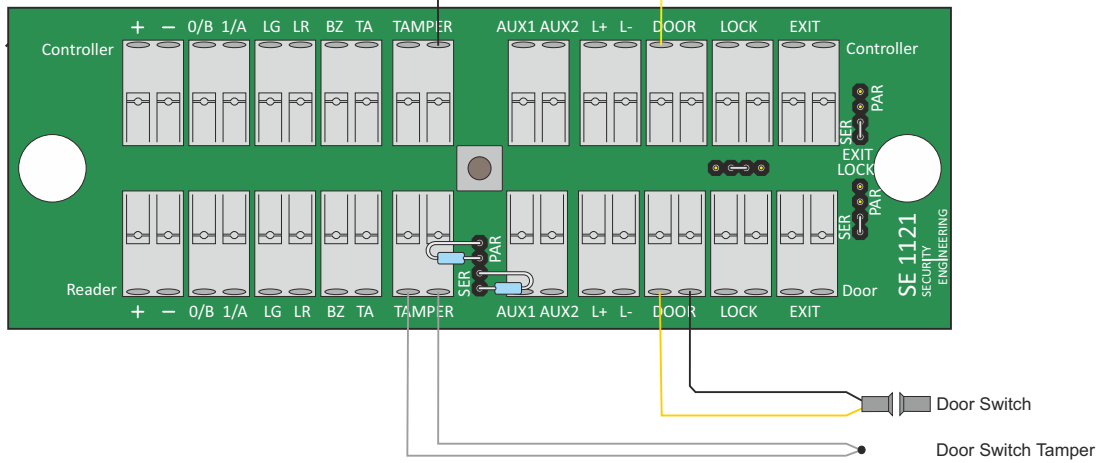
Subject : Connections

Scale :

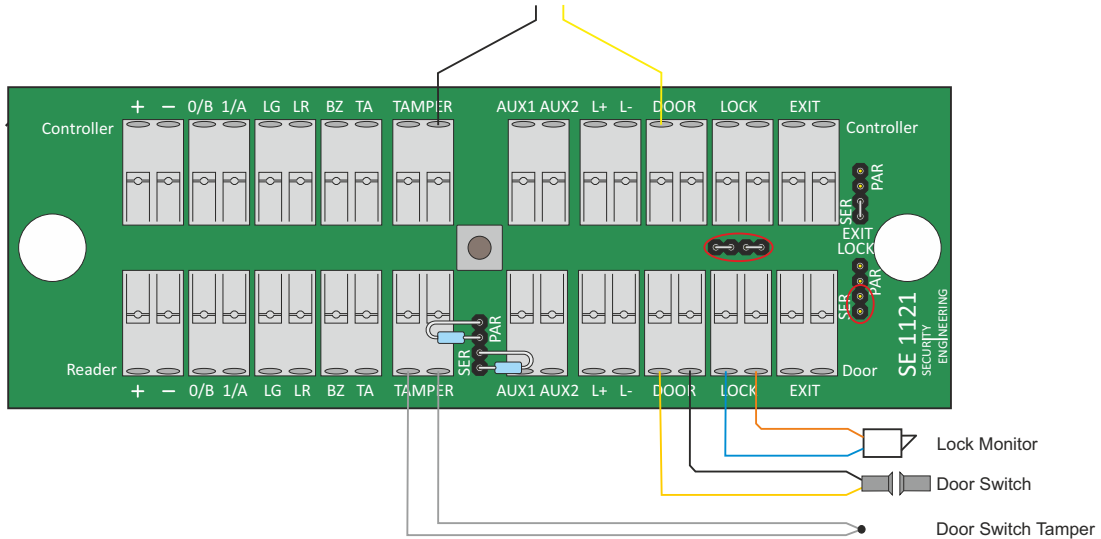
Dato : 2024-04-04

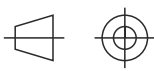
Rev.: A

Access Control Junction Box
SE 1121
Door contact and enclosure tamper in series with EOL resistors



Access Control Junction Box
SE 1121
Door contact, Lock monitor and enclosure tamper in series with EOL resistors




Technical drawings
according to DIN
specifications

SECURITY
ENGINEERING

Tel.: +45 87 30 04 45
www.securityengineering.com

Design : SE 1121 - EAC Junction box

Subject : Connections & Resistors

Scale :

Dato : 2024-04-08

Rev.: C